

# ASSEMBLY INSTRUCTION

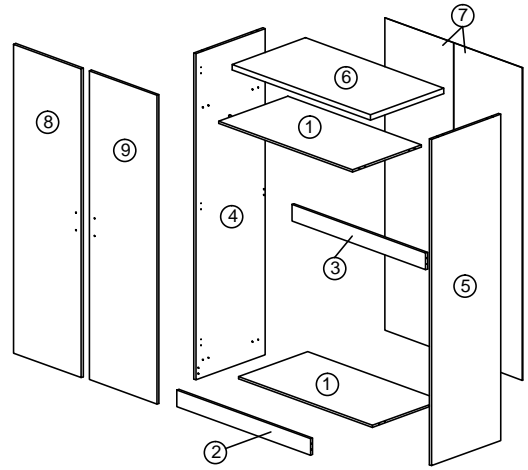
MODEL : HM 368.01

DESCRIPTION : 2 DOOR WARDROBE

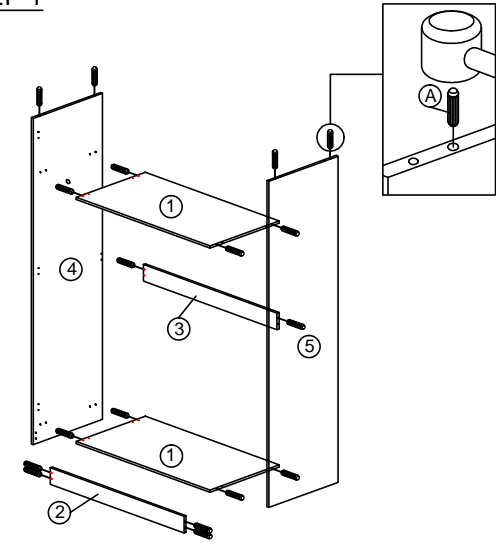
HARDWARE

<b>A</b> WOOD DOWEL 8 X 25 1X18	<b>B</b> 50MM CB SCREW M4X50MM 1X4	<b>C</b> 38MM CB SCREW M4X38MM 1X10	<b>D</b> 25MM CB SCREW M4X25MM 1X4	<b>E</b> 12MM CB SCREW M3.5X12MM 1X2	<b>F</b> L BRACKET M502 1X1	<b>G</b> 12MM TAPPING SCREW M8X1/2MM 1X24	<b>H</b> NAIL 5/8 1X30	<b>I</b> PVC NAIL WITH PIN 1/2 1X4	<b>J</b> HANDLE 108 -96MM 1X2	<b>K</b> HINGES 2/8 1X6	<b>L</b> 18MM CHROME PIPE 1X1
--	--	---	--	--	--------------------------------------	---	------------------------------	---	--	-------------------------------	--

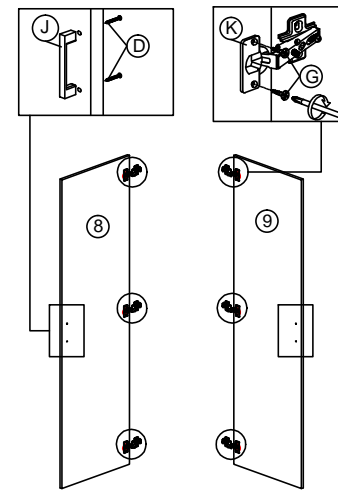
## PART LIST



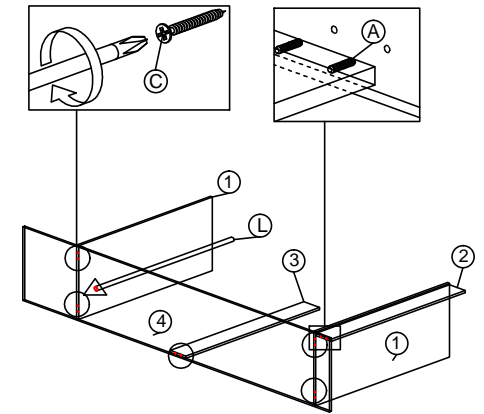
## STEP 1



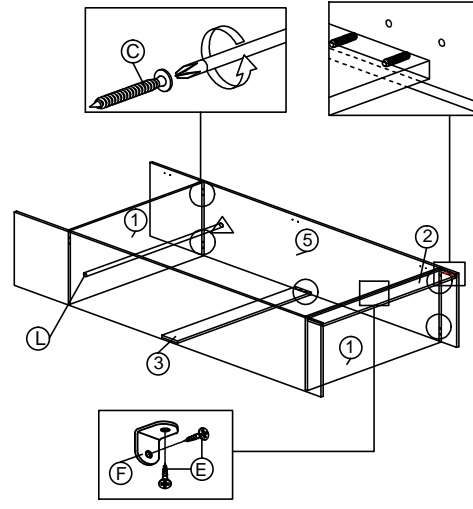
## STEP 2



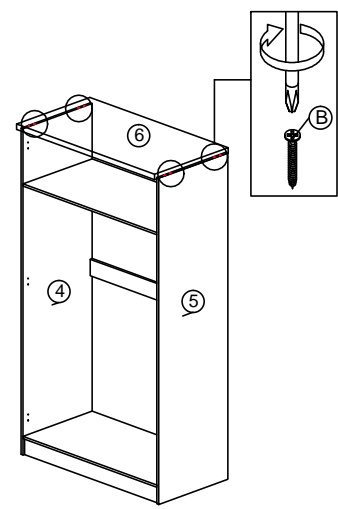
## STEP 3



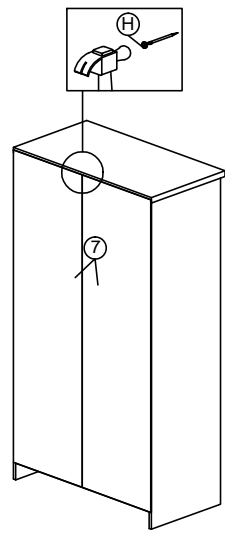
## STEP 4



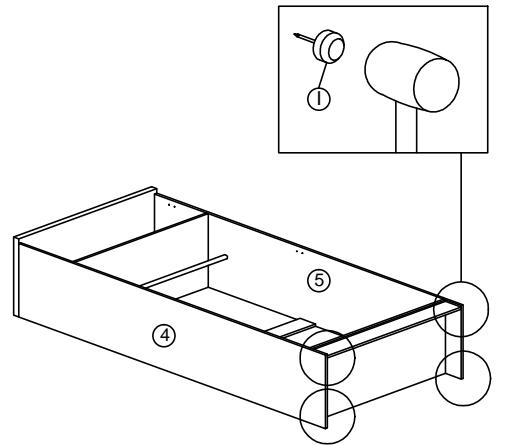
## STEP 5



## STEP 6



## STEP 7

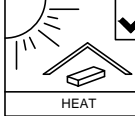




SOFT, DRY CLOTH



CHEMICAL



HEAT



KEEP DRY



HANDLE WITH CARE



DO NOT USE KNIFE

# ASSEMBLY INSTRUCTION

MODEL : HM 368.01

DESCRIPTION : 2 DOOR WARDROBE

## STEP 8

## COMPLETED

